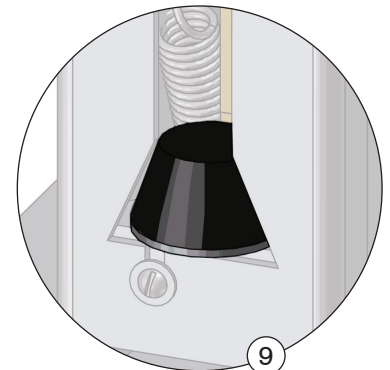
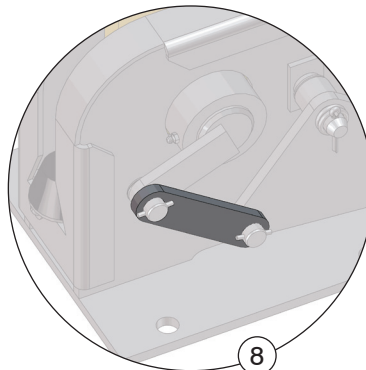
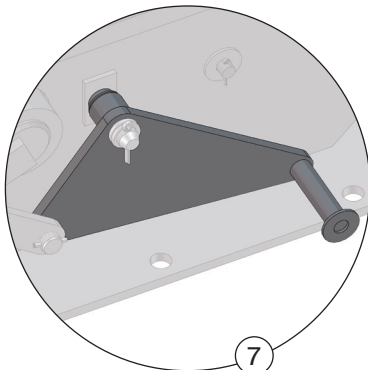
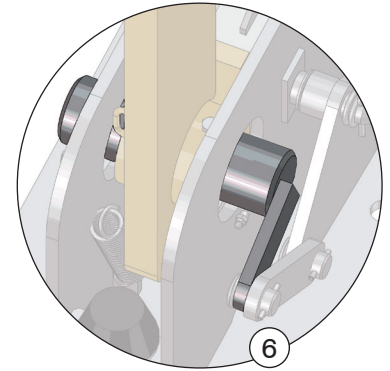
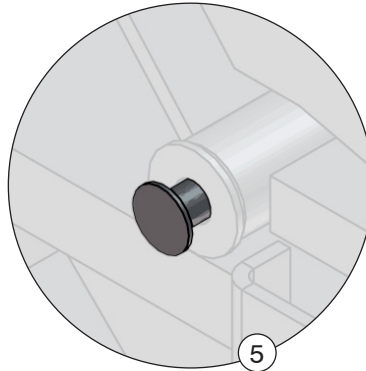
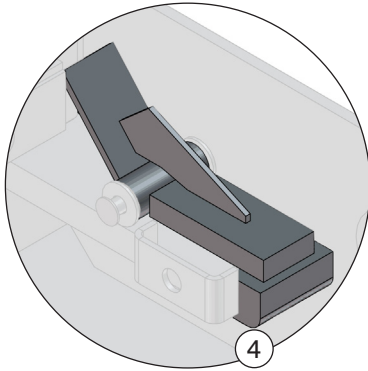
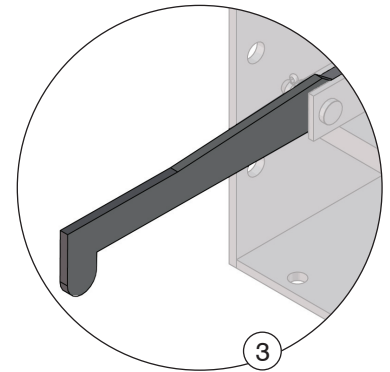
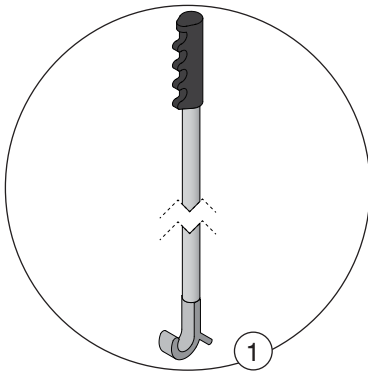


RECOMMENDED SPARE PARTS

StrongArm™ ML10 Vehicle Restraint



StrongArm™ ML10 Vehicle Restraint
30,000 lb (13,636 kg) restraining force.

RSP FOR ML10 – STD OPERATIONAL COMPONENTS

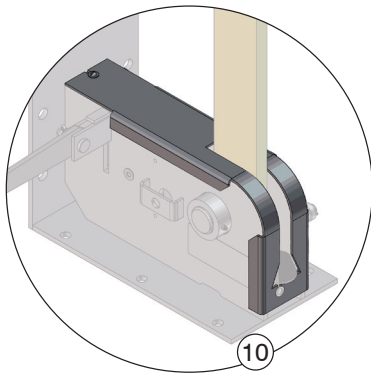
ITEM NO.	PART NO.	DESCRIPTION	QTY REQ'D
1	782-371	Control Rod	1
2	017-012	Return Spring	1
3	522-0000	Arm, Release Lever	1
4	522-5001	Lock Weldment	1
5	210-0005	Pin, Lock Weldment	1

RSP FOR ML10 – STD OPERATIONAL COMPONENTS

ITEM NO.	PART NO.	DESCRIPTION	QTY REQ'D
6	522-5005	Arm, Pivot Shaft Assembly	1
7	522-5006	Arm, Engagement Lever	1
8	522-0010	Arm Engagement Link 1 1/4" x 5 5/8" (32mm x 143 mm)	1
9	091-041	Bumper	1

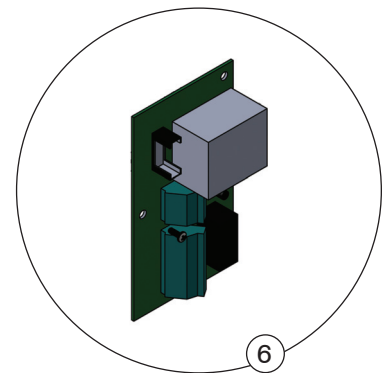
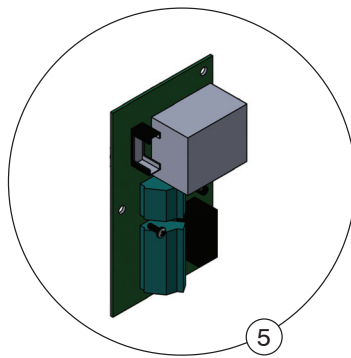
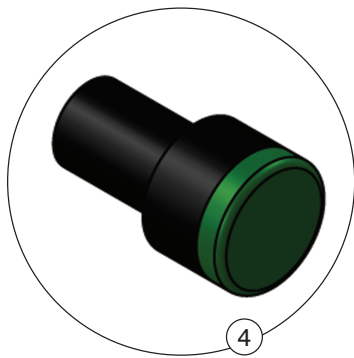
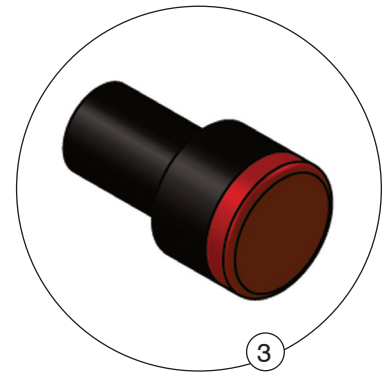
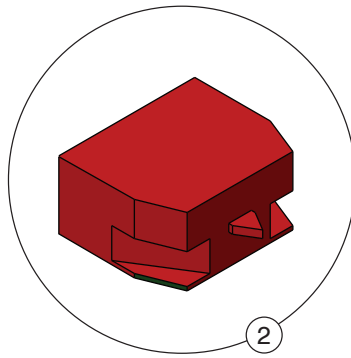
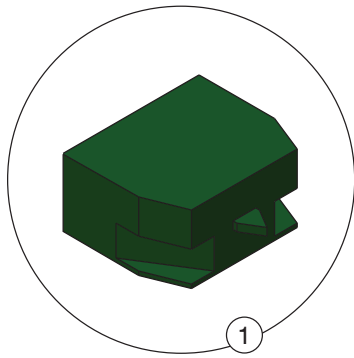
RECOMMENDED SPARE PARTS

StrongArm™ ML10 Vehicle Restraint



RSP FOR ML10 – PROTECTIVE COMPONENTS

ITEM NO.	PART NO.	DESCRIPTION	QTY REQ'D
10	52-011187	Top Cover	1



RSP FOR TLC24 COMPONENTS (OPTIONAL)

ITEM NO.	PART NO.	DESCRIPTION	QTY REQ'D
1	026-G202	Normal-Open Contact Block	1
2	026-G203	Normal-Closed Contact Block	1
3	026-G205	24V Monoblock LED Indicator- Red	1

RSP FOR TLC24 COMPONENTS (OPTIONAL)

ITEM NO.	PART NO.	DESCRIPTION	QTY REQ'D
4	026-G206	24V Monoblock LED Indicator- Green	1
5	026-G014-1115	Traffic Lights Controller Board (1PH 115V TLC)	1
6	026-G014-1230	Traffic Lights Controller Board (1PH 230V TLC)	1