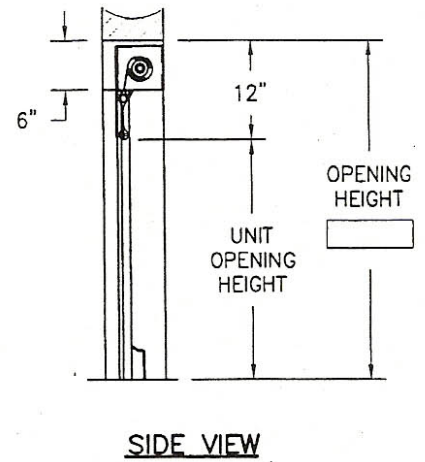
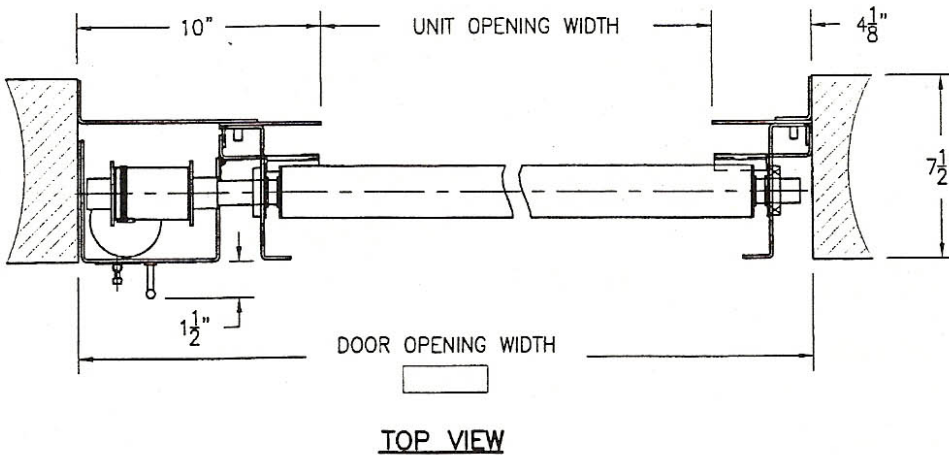


LEFT OR RIGHT HAND DRIVE AVAILABLE
 - LEFT HAND DRIVE AS SHOWN
 - RIGHT HAND DRIVE MIRROR OPPOSITE

DATE	REV. NO.	DESCRIPTION
SUPERSEAL		
8000 BUG MANUAL ROLL-UP DOOR PROJECTION FRAME MOUNT - CLEARANCE REQUIREMENTS		
DATE:	MAR.7/00	SCALE: 1:24
DRAWN:	GK,OC	DWG NO: LB000-C / 1
APPROVED:		PART #: N/A

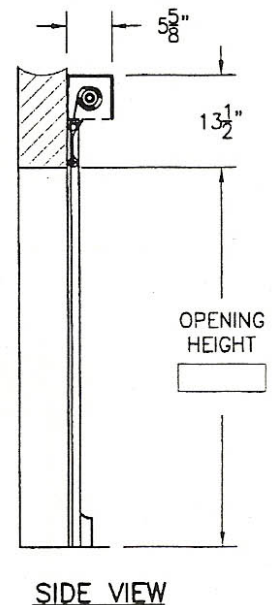
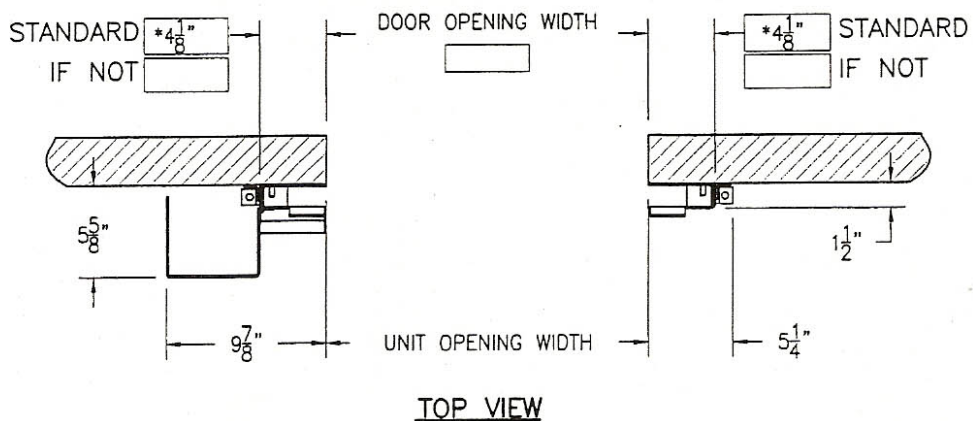
UNDER LINTEL MOUNT
(FOR DOOR OPENING WIDTHS LESS THAN OR EQUAL TO 120")



CHECK ONE:

- COUNTERWEIGHT ON LEFT SIDE (AS SHOWN)
- COUNTERWEIGHT ON RIGHT SIDE


FLUSH MOUNT
(FOR DOOR OPENING WIDTHS LESS THAN OR EQUAL TO 120")



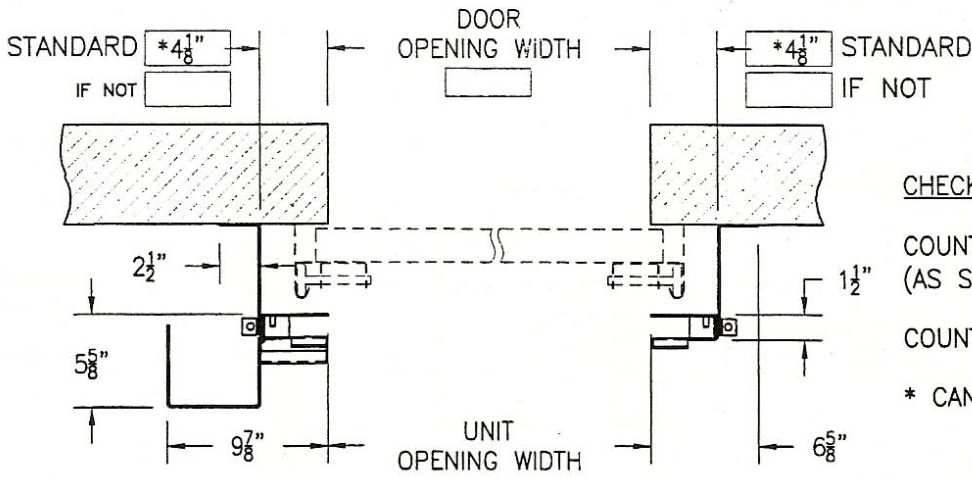
CHECK ONE:

- COUNTERWEIGHT ON LEFT SIDE (AS SHOWN)
- COUNTERWEIGHT ON RIGHT SIDE

* CAN BE ADJUSTED

DATE	REV. NO.	BY	DESCRIPTION
			
8000BUG FILLOUT SHEET FOR DOOR OPENING WIDTHS LESS THAN OR EQUAL TO 120"			
DATE: FEB-19-02	SCALE: N.T.S.		
DRAWN BY: OWEN C.	APPROVED BY:		
PART NO. : 15-0174	DWG NO. : L8000-F / 1		

PROJECTION MOUNT (FOR DOOR OPENING WIDTHS LESS THAN OR EQUAL TO 120")



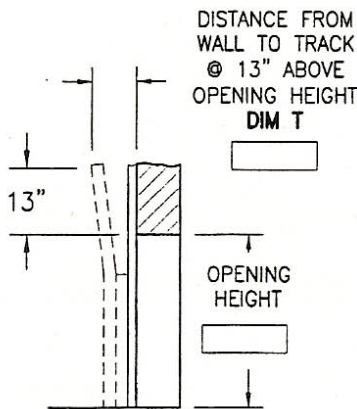
TOP VIEW

CHECK ONE:

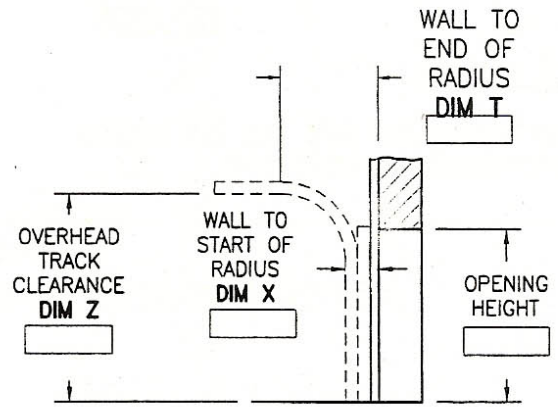
COUNTERWEIGHT ON LEFT SIDE (AS SHOWN)

COUNTERWEIGHT ON RIGHT SIDE

* CAN BE ADJUSTED

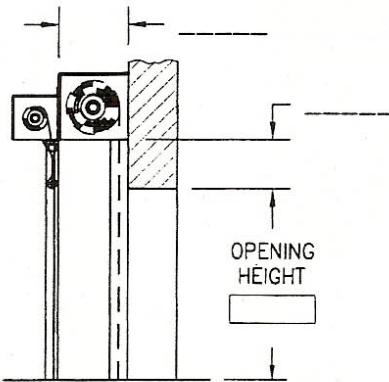


**VERTICAL STORE
OR HIGH LIFT**

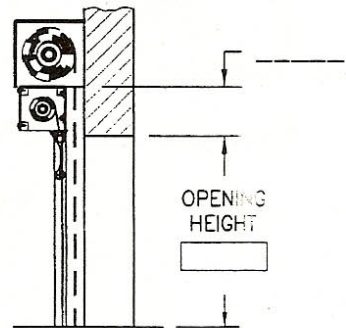


HORIZONTAL STORE

ARE ANY OVERHEAD DOOR PANELS HIGHER THAN 24"? (Y/N) []
IF SO, HOW HIGH? []



**PROJECTION MOUNTING
ON FACE OF STEEL ROLL-UP DOOR**

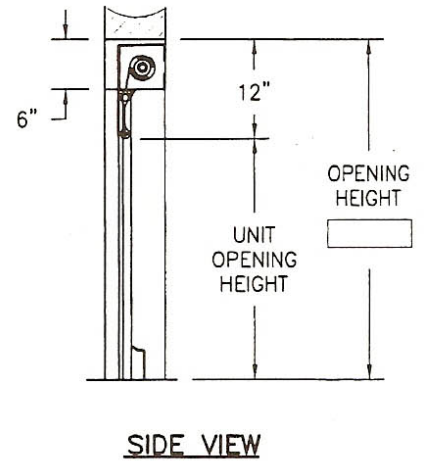
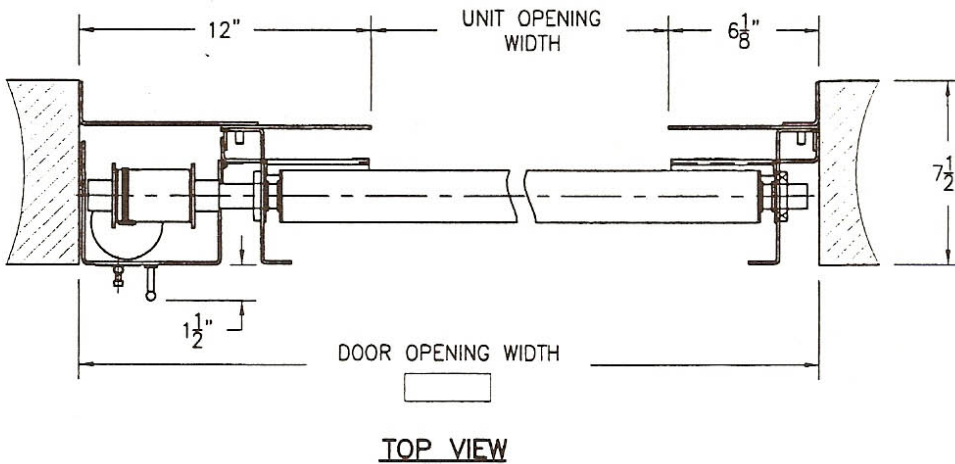


**PROJECTION MOUNTING
UNDER STEEL ROLL-UP DOOR**

PLEASE ANSWER THE FOLLOWING QUESTIONS:

DOES ANY HARDWARE PROJECT BEYOND EDGE OF TRACK (i.e. BOLLARDS)? (Y/N) []
IF SO, BY HOW MUCH? []

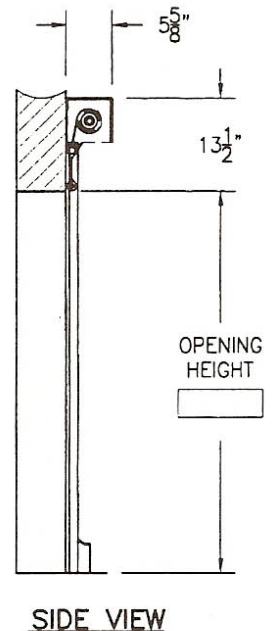
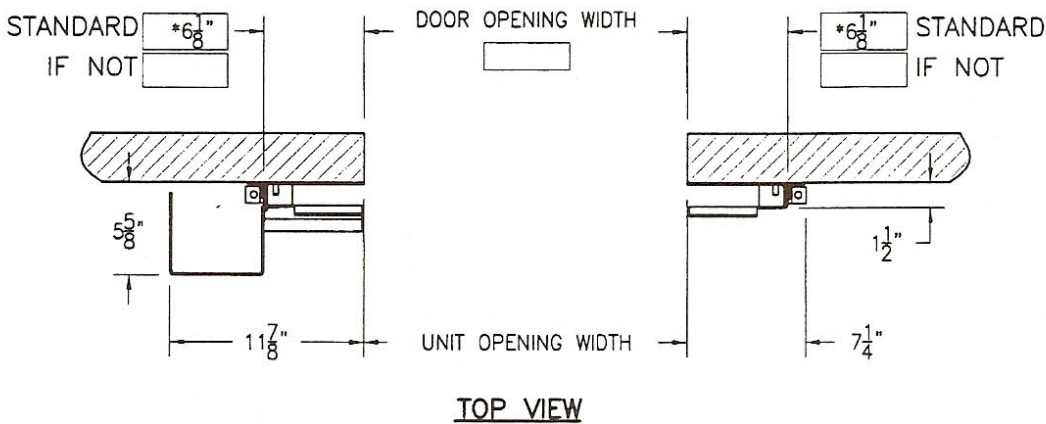
**UNDER LINTEL MOUNT
(FOR DOOR OPENING WIDTHS GREATER THAN 120")**



CHECK ONE:

- COUNTERWEIGHT ON LEFT SIDE (AS SHOWN)
 COUNTERWEIGHT ON RIGHT SIDE


**FLUSH MOUNT
(FOR DOOR OPENING WIDTHS GREATER THAN 120")**



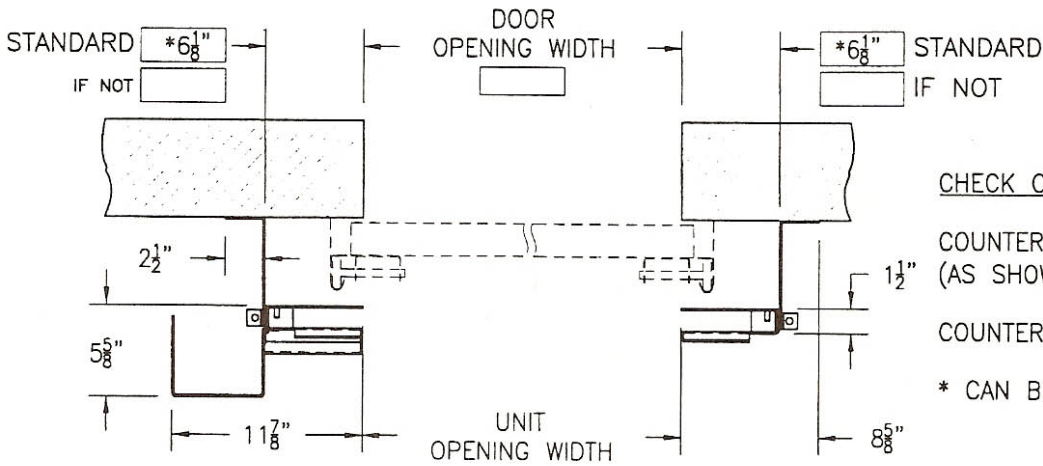
CHECK ONE:

- COUNTERWEIGHT ON LEFT SIDE (AS SHOWN)
 COUNTERWEIGHT ON RIGHT SIDE

* CAN BE ADJUSTED

DATE	REV. NO.	BY	DESCRIPTION
			
8000BUG FILLOUT SHEET FOR DOOR OPENING WIDTHS GREATER THAN 120"			
DATE: FEB-20-02	SCALE: N.T.S.		
DRAWN BY: O.C.	APPROVED BY:		
PART NO. : 15-0175	DWG NO. : L8000-G / 1		

PROJECTION MOUNT (FOR DOOR OPENING WIDTHS GREATER THAN 120")



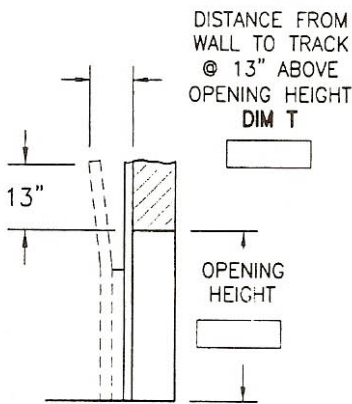
CHECK ONE:

COUNTERWEIGHT ON LEFT SIDE (AS SHOWN)

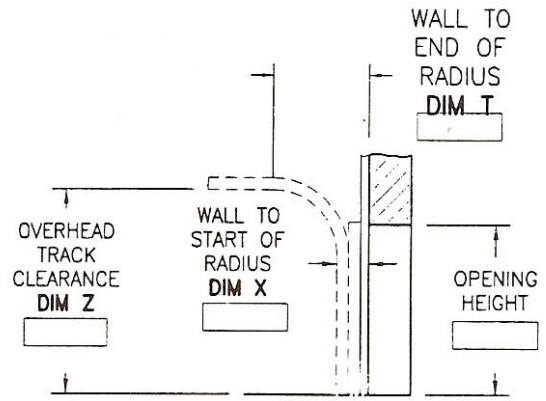
COUNTERWEIGHT ON RIGHT SIDE

* CAN BE ADJUSTED

TOP VIEW

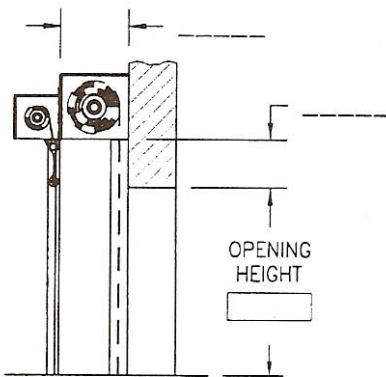


VERTICAL STORE OR HIGH LIFT

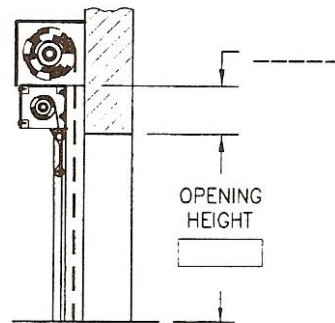


HORIZONTAL STORE

ARE ANY OVERHEAD DOOR PANELS HIGHER THAN 24"? (Y/N) _____
IF SO, HOW HIGH? _____



PROJECTION MOUNTING ON FACE OF STEEL ROLL-UP DOOR



PROJECTION MOUNTING UNDER STEEL ROLL-UP DOOR

PLEASE ANSWER THE FOLLOWING QUESTIONS:

DO YOU HAVE ANY HARDWARE PROJECT BEYOND THE TRACK (i.e. BOLLARDS)? (Y/N) _____
IF YES, BY HOW MUCH? _____